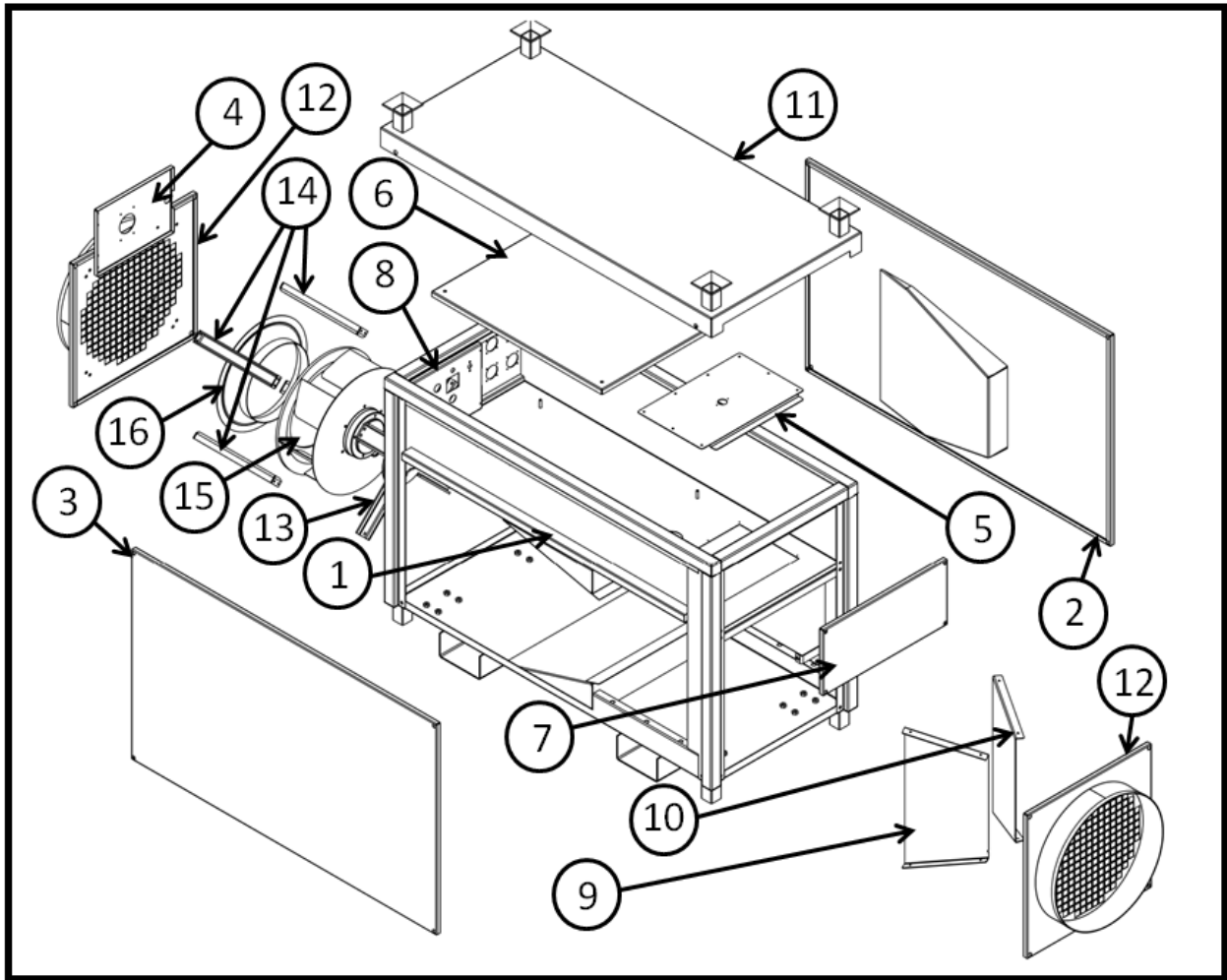


# ECO BLAZE 60E (600V)

## BLAZE 60E (600V) PARTS BREAKOUT REV 1



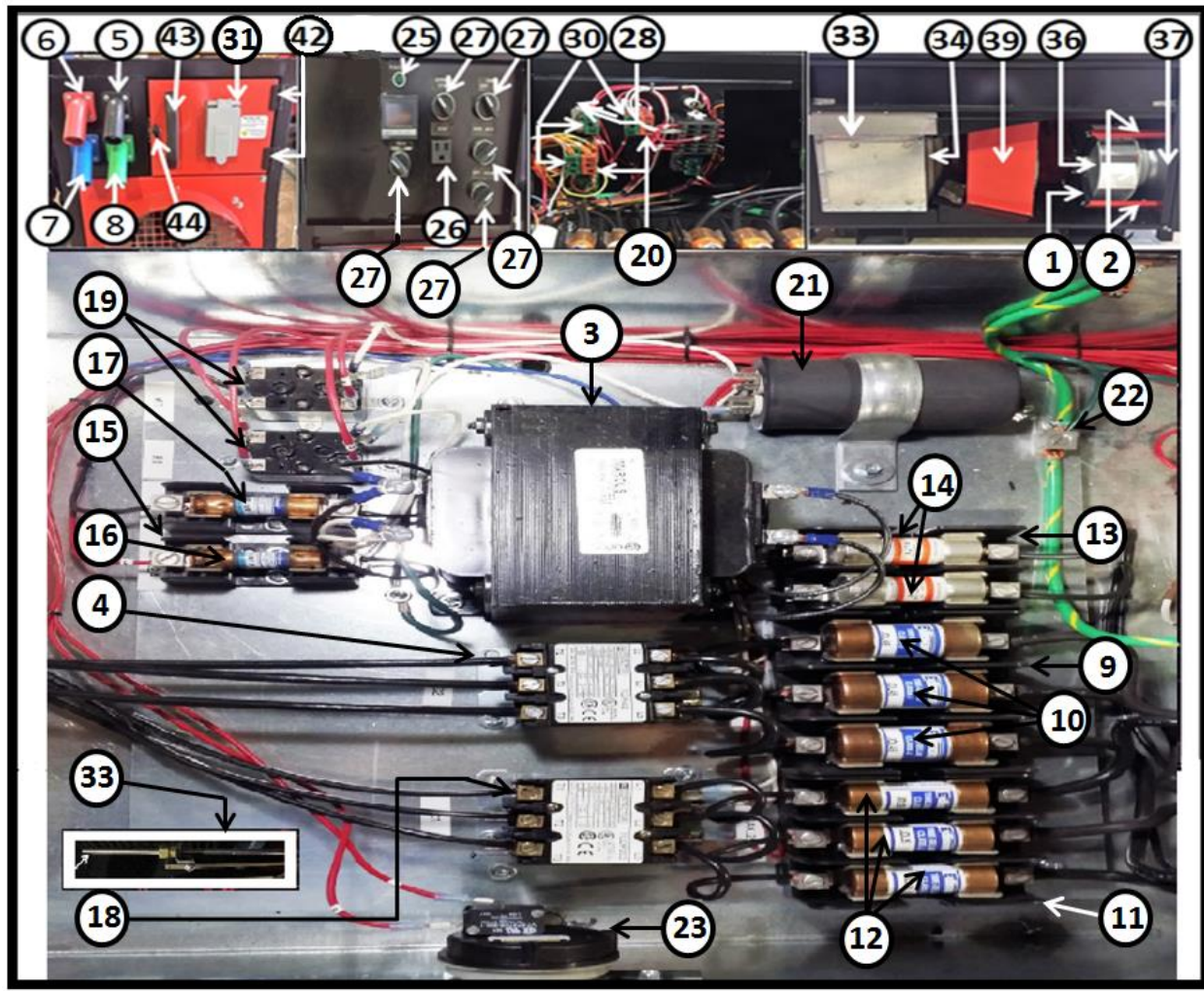
ITEM#	PART #	DESCRIPTION	QUANTITY
1	C50115	FRAME	1
2	C50116	SIDE PANEL LEFT	1
3	C50117	SIDE PANEL RIGHT	1
4	C50118	DOOR PANEL	1
5	C50119	ACCESS PANEL	1
6	C50120	ELECTRICAL PANEL	1
7	C50121	PANEL	1
8	C50122	ELECTRICAL PANEL (CONTROLS)	1
9	C50123	DEFLECTORS	2
10	C50126	RETURN PANEL	1
11	C50125	TOP PANEL	1
12	C60023/C60024	12" SUPPLY PANEL/ 16" SUPPLY PANEL	1
13	C50127	FAN MOUNT	1
14	C50128	FAN POST	4

## ECO BLAZE 60E (600V)

<b>15</b>	C40029	FAN MOTOR E	1
<b>16</b>	C40030	INLET CONE FOR FAN MOTOR E	1
<b><u>OPTIONAL PARTS</u></b>			
	C40051	FAN MOTOR R	1
	C40052	INLET CONE FOR FAN MOTOR R	1
	C50159	12" SUPPLY PANEL	1
	C50160	16" SUPPLY PANEL	1

# ECO BLAZE 60E (600V)

## BLAZE 60E (600V) CONTROL PANEL BREAKOUT REV 1



ITEM#	PART #	DESCRIPTION	QUANTITY
1	C50127	FAN MOUNT	1
2	C50128	FAN POST	4
3	C50235	TRANSFORMER	1
4	C50257	CONTACTOR	1
5	C50131	BLACK CAM LOCK	1
6	C50132	RED CAM LOCK	1
7	C50133	BLUE CAM LOCK	1
8	C50134	GREEN CAM LOCK	1
9	C50239	FUSE HOLDER	1
10	C50241	60A FUSE	3
11	C50135	FUSE HOLDER	1
12	C50137	30A FUSE	3
13	C50240	FUSE HOLDER	1


## ECO BLAZE 60E (600V)

<b>14</b>	C50142	4A 600V T.D. FUSE	2
<b>15</b>	C50141	FUSE HOLDER	2
<b>16</b>	C50143	2A 250V T.D. FUSE	1
<b>17</b>	C50144	10A 250V T.D. FUSE	1
<b>18</b>	C50259	CONTACTOR	1
<b>19</b>	C90050	RELAY 1	2
<b>20</b>	C70071	CONTACT BLOCK	2
<b>21</b>	C90055	CAPACITOR FOR FAN MOTOR E	1
<b>22</b>	C70051	GROUND LUG	1
<b>23</b>	C50155	AIR SWITCH	1
<b>25</b>	C90025	POWER ON INDICATOR LIGHT GREEN	1
<b>26</b>	C90029	OUTLET FOR PLUG	1
<b>27</b>	C70065	SELECTOR SWITCH	4
<b>28</b>	C70069	FIXING COLLAR	3
<b>30</b>	C70067	CONTACT BLOCK	3
<b>31</b>	C70072	FLIP LID COVER HOUSING	1
<b>32</b>	C60126	TEMPERATURE CONTROLLER	1
<b>33</b>	C60121	THERMOCOUPLE	1
<b>34</b>	C50313	ELEMENT	1
<b>35</b>	C50168	CASTER	4
<b>36</b>	C40029	FAN MOTOR E	1
<b>37</b>	C40030	INLET CONE FOR FAN MOTOR E	1
<b>40</b>	C90041	LIMIT SWITCH	1
<b>42</b>	C50299	HINGE	2
<b>43</b>	C70087	GRAB HANDLE	1
<b>44</b>	C50298	LOCK	1
<b>OPTIONAL PARTS</b>			
	C90054	CAPACITOR FOR FAN MOTOR R	1
	C40051	FAN MOTOR R	1
	C40052	INLET CONE FOR FAN MOTOR R	1
	C50260	FAN MOTOR P	

# ECO BLAZE 60E (600V)

**p/n C50319 COMPLETE KIT**

16.5" x 16.5" **p/n C50302** **x2**



**(600 V)**

**p/n C50318** **ECOBlaze 60E** **x2**

2" x 12"

4" x 5.5" **p/n C50305**

**CAUTION: DO NOT OPEN CAMLOCKS UNDER LOAD**

**ATTENTION: NE PAS OUVRIR SOUS CHARGE CAMLOCKS**

6" x 6" **p/n C60124** **x2**

**! CAUTION !**

**MAX 50FT OVERALL DUCTING**

**MAX 25FT DUCTING ON RETURN**

**DUCTING MUST BE RATED FOR 300F ON SUPPLY SIDE**

6.7" x 14.5" **p/n C50320**

**BLAZE 60 E** PORTABLE ELECTRIC HEATER S/N 860-000-17-0888 Date of MFG: 2/12/14

**BLAZE 60 E** RADIATEUR ÉLECTRIQUE PORTATIF

**ECOBlaze** CAMPO EQUIPMENT CO. LTD. 6 Carson Court, Brampton ON L6T 4P8

**ECOBlaze** CAMPO EQUIPMENT CO. LTD. 6 Carson Court, Brampton ON L6T 4P8

HEATING CAPACITY: 205,000 BTU  
ELECTRIC HEAT - NOMINAL KW: 60KW  
NO. OF STAGES: (3) 20-40-60KW  
ELECTRICAL RATING: 600Volts 58A  
SCWR 10KA 60CY

CAPACITÉ DE CHAUFFAGE: 205,000 BTU  
Chauffage électrique - KW nominale: 60KW  
NO. DES STAGES: (3) 20-40-60KW  
ÉLECTRIQUES: 600Volts 58A  
SCWR 10KA 60CY

2" x 6.5" **p/n C50306**

**DANGER** Moving parts can crush and cut. Do not operate with guard removed. **DANGER** PIÈCES MOBILES peuvent écraser et couper. NE PAS UTILISER AVEC GARDE DE SÉCURITÉ RETIRÉE. **DANGER** Follow lockout procedure before servicing. **DANGER** SUIVI procédure de verrouillage avant l'entretien.

6" x 9" **p/n C50304**

**CAUTION** Burn and Fire Hazards. Do not touch grill. **ATTENTION** Gravez et risques d'incendie. Ne pas toucher la grille. **CAUTION** Heater manufacturer Approved ducting must be attached for outdoor use. **ATTENTION** Fabricant de chauffe-conduits approuvée doit être jointe pour une utilisation extérieure. **FOR USE WITH OR WITHOUT DUCTWORK ONLY DUCTWORK SUPPLIED BY THE MANUFACTURER SHALL BE USED WITH THIS HEATER** **UTILISER AVEC OU SANS CANALISATIONS POUR CE RADIATEUR, UTILISER UNIQUEMENT LES CANALISATIONS FOURNIES PAR LE FABRICANT**

2" x 6.5" **p/n C50303**

**CAUTION** RISK OF ELECTRIC SHOCK DO NOT OPEN NO USER-SERVICEABLE PARTS INSIDE **ATTENTION** RISQUE DE CHOC ÉLECTRIQUE NE PAS OUVRIR NON UTILISATEUR PIÈCES À L'INTÉRIEUR

3" x 3" **p/n C50308**

**CAUTION: DO NOT BLOCK AIR FLOW** **ATTENTION: NE PAS BLOQUER LES FLUX D'AIR** Note: Thermally Protected Motor Remarque: Moteur Protection thermique

3" x 3" **p/n C50309**


**UNIT MUST BE GROUNDED PRIOR TO USE** **L'unité doit être mise à la terre avant de les utilise**

1.25" x 1.5" **p/n C50311**

**L1 L3** **L2 G**

5" x 1.25"

0.75" x 2"



C50319	BLAZE 60E 600V DECAL KIT
C50320	SERIAL NUMBER (VARIABLE DATA)
C50302	CAMPO LOGO
C50303	CAUTION--SHOCK RISK
C50304	CAUTION--BURN/FIRE HAZ.
C50305	CAUTION CAM LOCKS
C50306	DANGER--MOVING PARTS
C50307	DANGER--HAZ. VOLTAGE
C50308	CAUTION--AIR FLOW BLOCK
C50309	MUST BE GROUNDED
C50318	BLAZE 60E
C60124	CAUTION - MAX DUCTING
C50311	BUTTONS

# ECO BLAZE 60E (600V)