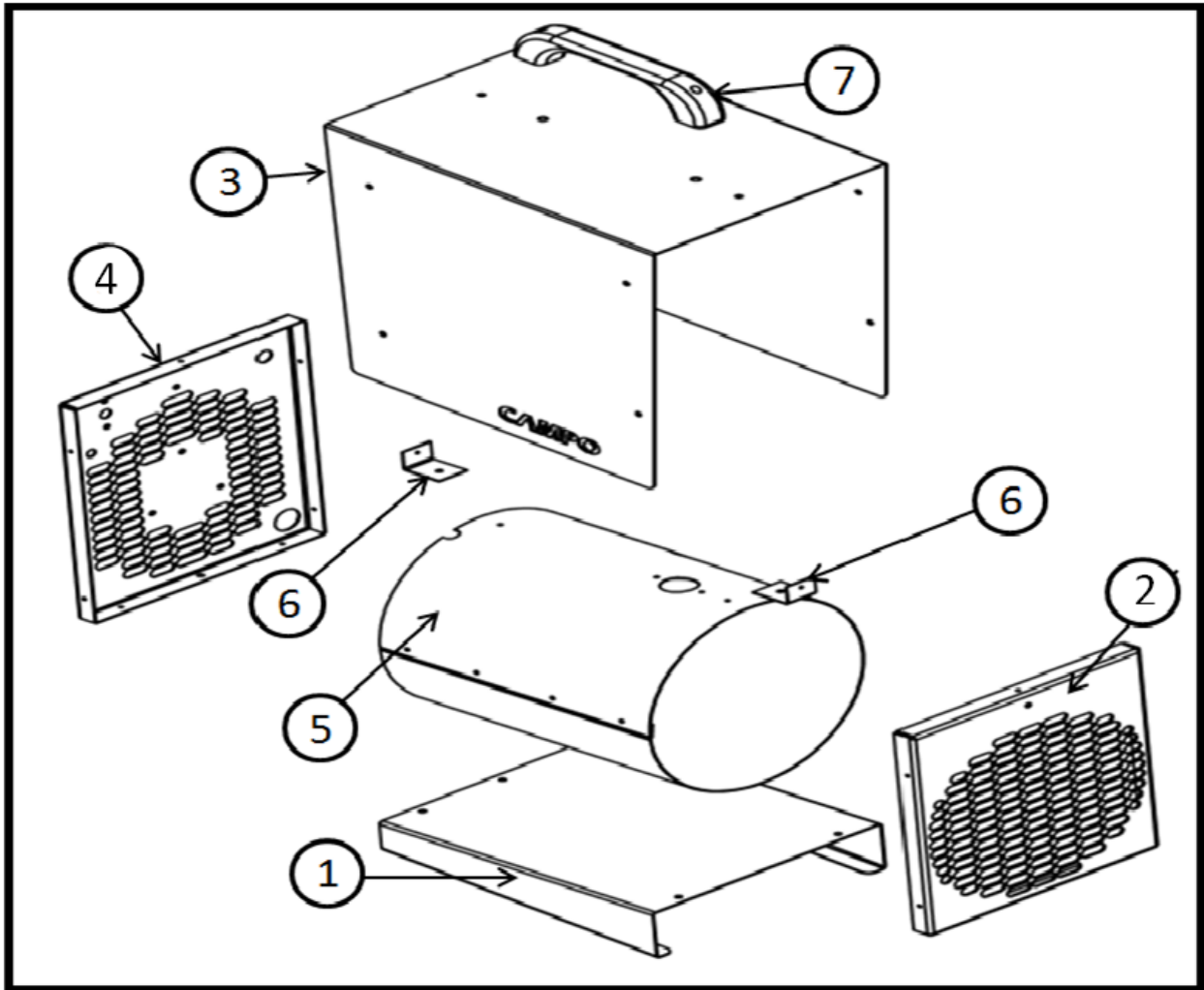


# ECO BLAZE 3E

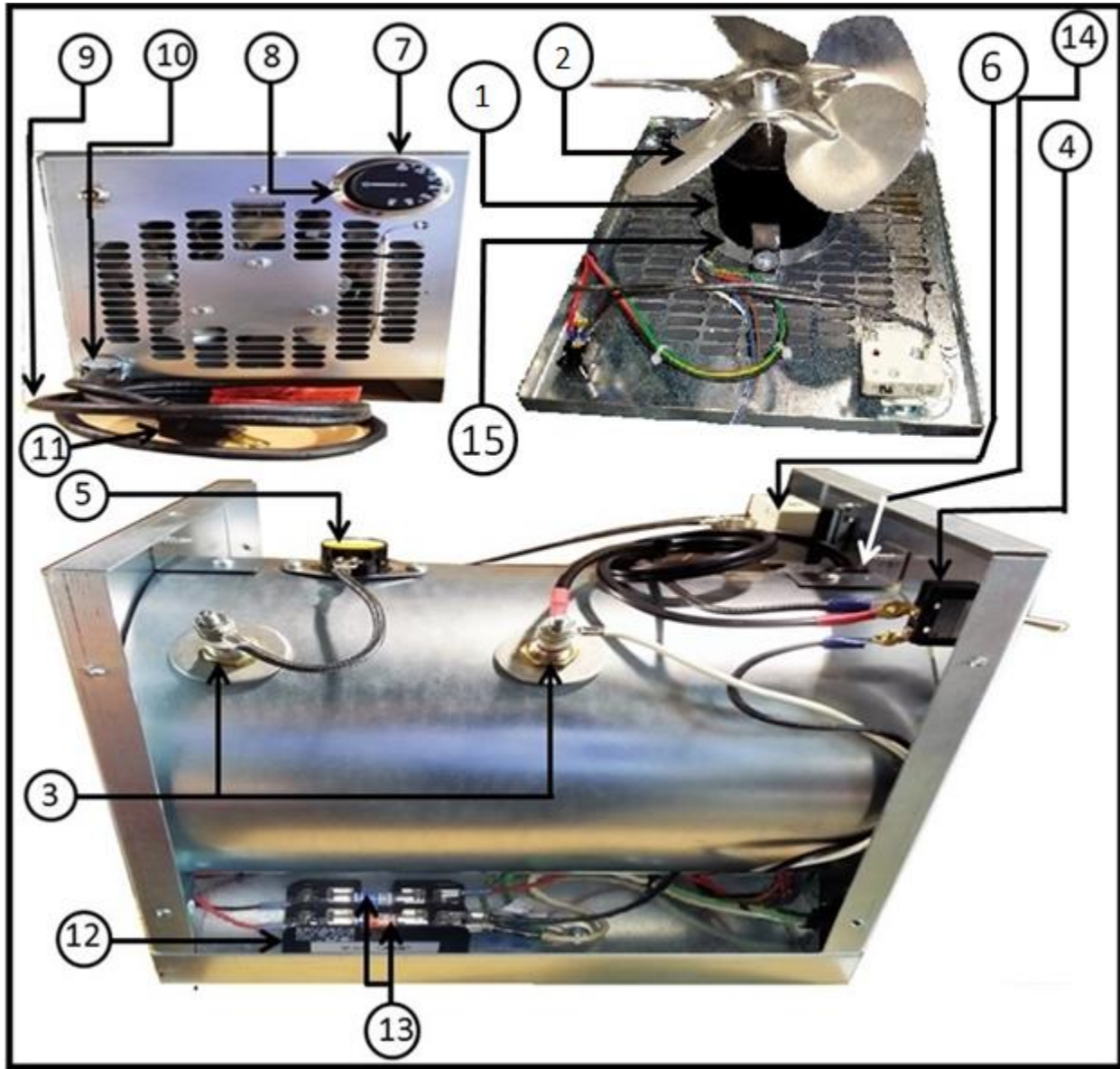
## BLAZE 3E PARTS BREAKOUT REV 1



ITEM#	PART #	DESCRIPTION	QUANTITY
1	C50024	BASE	1
2	C50025	SUPPLY PANEL	1
3	C50026	TOP COVER	1
4	C50027	RETURN PANEL	1
5	C50028	BARREL	1
6	C50005	BARREL SUPPORT BRACKET	1
7	C70087	GRAB HANDLE	1

# ECO BLAZE 3E

## BLAZE 3E ELECTRICAL BREAKOUT REV 2



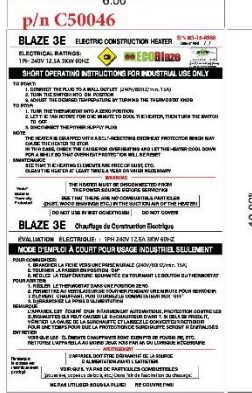
ITEM#	PART #	DESCRIPTION	QUANTITY
1	C50031	FAN MOTOR	1
2	C50036	FAN BLADE	1
3	C50033	3 KW ELEMENT	1
4	C50032	SELECTOR SWITCH	1
5	C90041	HIGH LIMIT SWITCH	1
6	C50010	ADJUSTABLE THERMOSTAT	1
7	C50011	ADJUSTABLE THERMOSTAT KNOB	1
8	C50012	ADJUSTABLE THERMOSTAT BEZEL	1
9	C50034	10FT POWER CABLE (NO PLUG)	1

# ECO BLAZE 3E

10	C50250	3/8" 2 SCREW CONNECTOR	1
11	C50035	PLUG NEMA 6-15P	1
12	C50038	FUSE HOLDER	1
13	C50037	1 AMP TD FUSE	2
14	C50017	GROMMET	1
15	C70087	FAN MOTOR BRACKET	1
	C50016	TYE WRAP BLACK	1

## BLAZE 3E DECAL KIT BREAKOUT REV 1

p/n C50044 COMPLETE KIT



C50044	BLAZE 3E DECAL KIT
C50045	SERIAL NUMBER (VARIABLE DATA) FOR UNIT COVER
C50046	SERIAL NUMBER (VARIABLE DATA) FOR PACKAGING
C50047	YELLOW WARNING
C50048	RED WARNING
C50049	CAMPO LOGO